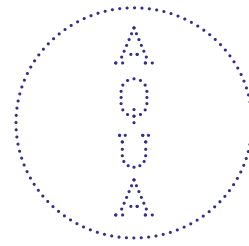


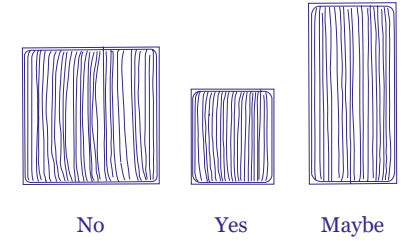
Simon Says No/Yes/Maybe

Wall or Ceiling Fixture

Feb 2018

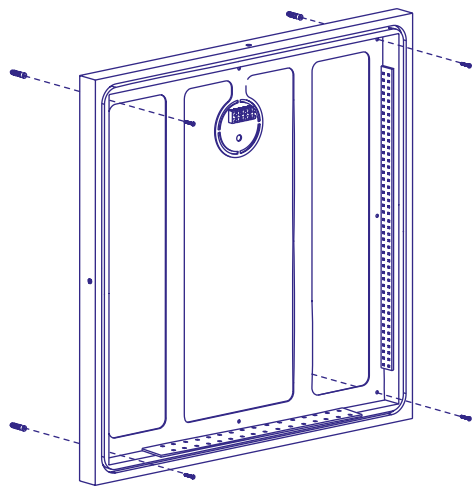


Aqua Creations
Light that matters

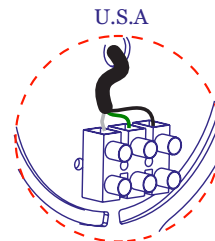
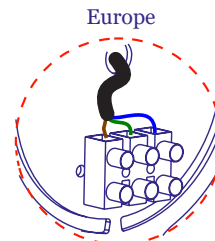
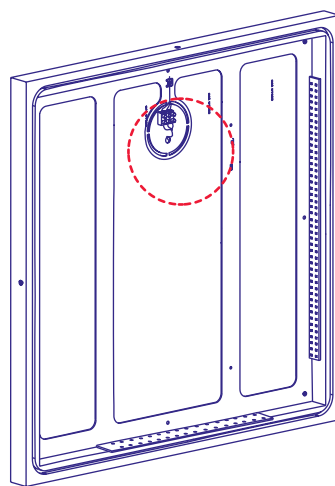


Silk Lighting Maintenance: All Lampshades in the Silk Lighting Collections are made of hand dyed, treated crushed silk that is resistant to mold and fire. The silk is sculpted over a metal structure. For optimal maintenance, vacuum the silk frequently and avoid direct sunlight or smoke. To remove stains use upholstery foam cleaner. (As these vary depending on manufacturer, testing the product on a hidden spot is recommended)

- 1** Install wall/ ceiling plate' using the supplied bolts.

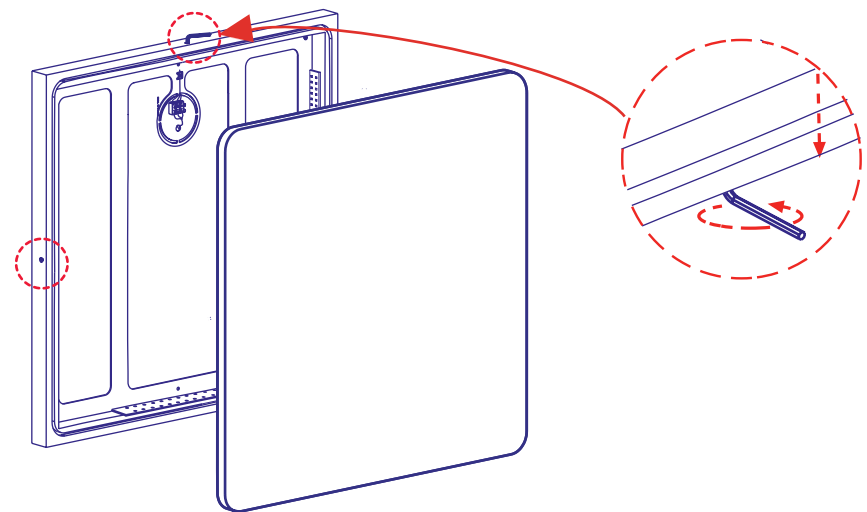


- 2** Connect Power to terminal block' install bulb and confirm power.

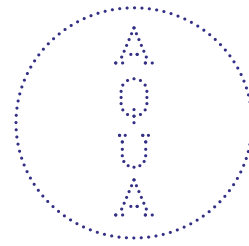


- 3** Slide the shade into the wooden frame niche.

- 4** Lock the side bolts and tighten it the polycarbonat shade as shown.



Simon Says No/Yes/Maybe Wall or Ceiling Fixture



Aqua Creations
Light that matters

Says No

Frame option:
Mahogany or oak wood frame

220-240 V Model

4X 18 Watt LED Boards. Approx 32W.
Type A dimming (Triac).
CE Certified.

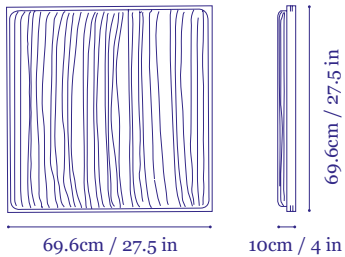
100V-120V Model

4X 18 Watt LED Boards. Approx 32W.
Type A dimming (Triac).
UL Pending

Package

Volume: 73 x 73 x 16cm, 29 x 29 x 6 in
Weight: 8kg / 17.6lb

Dimensions



Says Yes

Frame option:
Mahogany or oak wood frame

220-240 V Model

2X 9 Watt LED Boards. Approx 32W.
Type A dimming (Triac).
CE Certified.

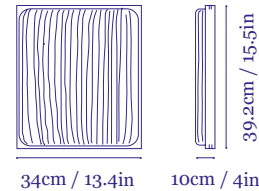
100V-120V Model

2X 9 Watt LED Boards. Approx 32W.
Type A dimming (Triac).
UL Pending

Package

Volume: 42 x 36 x 16cm, 16 x 14 x 6 in
Weight: 2.5kg / 5.5lb

Dimensions



Says Maybe

Frame option:
Mahogany or oak wood frame

220-240 V Model

2X 18 Watt LED Boards. Approx 32W.
Type A dimming (Triac).
CE Certified.

100V-120V Model

2X 18 Watt LED Boards. Approx 32W.
Type A dimming (Triac).
UL Pending

Package

Volume: 73 x 36 x 16cm, 29 x 14 x 6 in
Weight: 5.5kg / 12lb

Dimensions

